



The Right Connection™

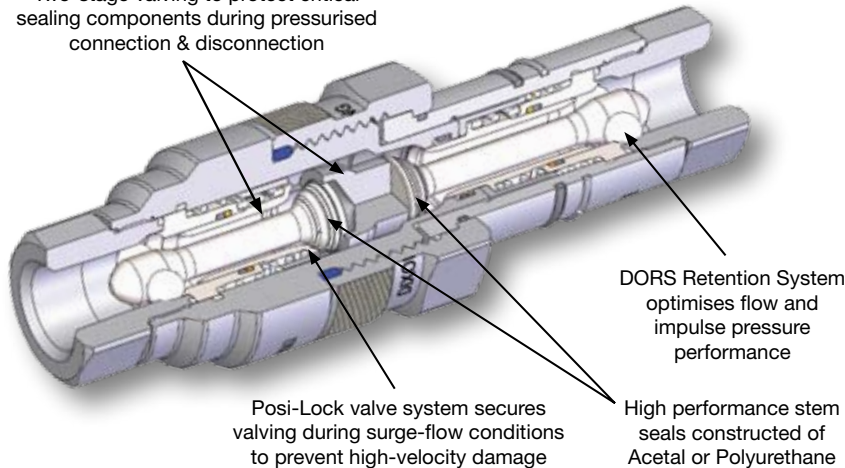
VEP Series Hydraulic Quick Disconnect Couplings

Customer Service: **+44 (0)1772 323529**



VEP Series - Hydraulic Quick Disconnect Couplings

Two-stage valving to protect critical sealing components during pressurised connection & disconnection



Posi-Lock valve system secures valving during surge-flow conditions to prevent high-velocity damage

DORS Retention System optimises flow and impulse pressure performance

High performance stem seals constructed of Acetal or Polyurethane

Applications:

- High Impulse Hydraulic Applications
- Oil Field Equipment
- BOP Systems
- Construction Equipment
- Excavators
- Crane Systems
- *Anywhere there's a need for a tough, reliable hydraulic connection!*

Features:

- Fully Interchangeable with Stucchi VEP-P/VEP-HD Series, DNP PST4 Series, Voswinkel FT Series, Holmbury HFT Series and Parker FET-Series
- Available with NPTF, BSPP, ORB, and Optional Code 62 Connections
- Improved Connect and Disconnect Performance Up To 5,500psi (380 Bar)
- Patented Valve Mechanism Optimises Flow and Pressure Performance
- Improved Corrosion Resistance Using ROHS Compliant Trivalent Chrome Plating
- Temperature Range: -30°C to +100°C (-22°F to +212°F)

Technical Specifications

Body Size	Pressure Rating				Burst Pressure						Max. Pressure Connect ³		Max. Pressure Disconnect ³		L/min
	ISO Working ¹		Max. Impulse ²		Connected		Coupler		Plug		psi	Bar	psi	Bar	
	psi	Bar	psi	MPa	psi	Bar	psi	Bar	psi	Bar	psi	Bar	psi	Bar	
1/4"	6,000	400	9,000	620	24,000	1650	22,000	1520	22,000	1520	5,500	380	5,500	380	13
3/8"	5,500	380	8,000	550	22,000	1520	18,000	1240	20,000	1380	4,500	310	4,500	310	40
1/2"	5,500	380	8,000	550	22,000	1520	18,000	1240	20,000	1380	4,500	310	4,500	310	66
3/4"	5,500	380	8,000	550	22,000	1520	18,000	1240	20,000	1380	4,500	310	4,500	310	85
1"	5,500	380	7,500	520	22,000	1520	14,500	1000	20,000	1380	3,625	250	3,625	250	123
1 1/4"	5,000	350	7,000	480	20,000	1380	14,500	1000	16,000	1100	3,625	250	3,625	250	174
1 1/2"	4,500	310	5,800	400	18,000	1240	12,000	830	14,500	1000	3,000	210	3,000	210	360
2"	4,000	280	5,000	350	18,000	1240	12,000	830	14,500	1000	3,000	210	3,000	210	653

¹ Couplings Impulse tested in accordance with ISO7241-2 for 1,000,000 cycles connected and 100,000 cycles disconnected at 133% of ISO Working Pressure.

² Couplings Impulse tested in accordance with ISO7241-2 for 100,000 cycles connected and disconnected at Maximum Impulse pressure listed.

³ System temperature for Maximum Connect/Disconnect Pressure must not exceed 65°C (150°F).

How to Connect & Disconnect the VEP-Series Coupling

1. Prior to connecting, thoroughly clean all mating surfaces and threads on both halves, then pull the coupler sleeve forward.
2. To initiate the connection, align the coupler and plug, pushing/turning the coupler sleeve towards the plug while engaging the threads.
3. Allow the threads to pull the coupler onto the plug, do not push the coupler onto the plug.
4. The first phase of the connection should be threaded by hand, without the use of tools.

Please note the connection sleeve may seize when dirt and debris accumulate in the threads - wipe away debris with a cloth, compressed air or a brush.

5. The second phase of the connection may require a wrench if the pressure is higher than anticipated.
6. Continue to thread the coupler sleeve onto the plug until the end of the sleeve meets the plug body
7. To disconnect, use a wrench to break the coupler sleeve free and keep the mating halves aligned during the disconnection process.

VEP Series - Hydraulic Quick Disconnect Couplings

VEP Series Components

Size	Part #	Thread	Length		Maximum OD		Weight Kg.	Hex Inch
			in	mm	in	mm		
1/4"	2VEPF2	1/4" - 18 NPTF	2.14	54.4	1.49	37.8	0.22	7/8"
1/4"	2VEPBF2	1/4" - 19 BSPP	2.14	54.4	1.49	37.8	0.22	7/8"
3/8"	3VEPF3	3/8" - 18 NPTF	2.55	64.8	1.62	41.1	0.29	1"
3/8"	3VEPBF3	3/8" - 19 BSPP	2.55	64.8	1.62	41.1	0.29	1"
3/8"	3VEPF4	1/2" - 14 NPTF	2.77	70.4	1.62	41.1	0.30	1 1/8"
3/8"	3VEPBF4	1/2" - 14 BSPP	2.77	70.4	1.62	41.1	0.30	1 1/8"
1/2"	4VEPF4	1/2" - 14 NPTF	3.08	78.2	1.98	50.3	0.62	1 3/16"
1/2"	4VEPBF4	1/2" - 14 BSPP	3.08	78.2	1.98	50.3	0.62	1 3/16"
1/2"	4VEPF6	3/4" - 14 NPTF	3.38	85.9	1.98	50.3	0.71	1 1/2"
1/2"	4VEPBF6	3/4" - 14 BSPP	3.38	85.9	1.98	50.3	0.71	1 1/2"
3/4"	6VEPF6	3/4" - 14 NPTF	3.37	85.6	2.19	55.6	0.77	1 1/2"
3/4"	6VEPBF6	3/4" - 14 BSPP	3.37	85.6	2.19	55.6	0.77	1 1/2"
1"	8VEPF8	1" - 11 1/2 NPTF	3.89	98.8	2.46	62.5	1.11	1 3/4"
1"	8VEPBF8	1" - 11 BSPP	3.89	98.8	2.46	62.5	1.11	1 3/4"
1 1/4"	10VEPF10	1 1/4" - 11 1/2 NPTF	4.40	111.8	2.70	68.6	1.71	2 3/16"
1 1/4"	10VEPBF10	1 1/4" - 11 BSPP	4.40	111.8	2.70	68.6	1.71	2 3/16"
1 1/2"	12VEPF12	1 1/2" - 11 1/2 NPTF	5.28	134.1	3.74	95.0	4.12	2 1/2"
1 1/2"	12VEPBF12	1 1/2" - 11 BSPP	5.28	134.1	3.74	95.0	4.12	2 1/2"
2"	16VEPF16	2" - 11 1/2 NPTF	9.42	239.3	7.39	187.7	15.22	3 1/2"
2"	16VEPBF16	2" - 11 BSPP	9.42	239.3	7.39	187.7	15.22	3 1/2"

Couplers



Size	Part #	Thread	Length		Maximum OD		Weight Kg.	Hex Inch
			in	mm	in	mm		
1/4"	VEP2F2	1/4" - 18 NPTF	2.67	67.8	1.35	34.3	0.24	7/8"
1/4"	VEP2BF2	1/4" - 19 BSPP	2.67	67.8	1.35	34.3	0.24	7/8"
3/8"	VEP3F3	3/8" - 18 NPTF	3.28	83.3	1.48	37.6	0.34	1"
3/8"	VEP3BF3	3/8" - 19 BSPP	3.28	83.3	1.48	37.6	0.34	1"
3/8"	VEP3F4	1/2" - 14 NPTF	3.50	88.9	1.48	37.6	0.35	1 1/8"
3/8"	VEP3BF4	1/2" - 14 BSPP	3.50	88.9	1.48	37.6	0.35	1 1/8"
1/2"	VEP4F4	1/2" - 14 NPTF	3.87	98.3	1.86	47.2	0.59	1 3/16"
1/2"	VEP4BF4	1/2" - 14 BSPP	3.87	98.3	1.86	47.2	0.59	1 3/16"
1/2"	VEP4F6	3/4" - 14 NPTF	4.07	103.4	1.86	47.2	0.68	1 1/2"
1/2"	VEP4BF6	3/4" - 14 BSPP	4.07	103.4	1.86	47.2	0.68	1 1/2"
3/4"	VEP6F6	3/4" - 14 NPTF	4.12	104.6	1.98	50.3	0.83	1 1/2"
3/4"	VEP6BF6	3/4" - 14 BSPP	4.12	104.6	1.98	50.3	0.83	1 1/2"
1"	VEP8F8	1" - 11 1/2 NPTF	4.95	125.7	2.20	55.9	1.20	1 3/4"
1"	VEP8BF8	1" - 11 BSPP	4.95	125.7	2.20	55.9	1.20	1 3/4"
1 1/4"	VEP10F10	1 1/4" - 11 1/2 NPTF	5.43	137.9	2.73	69.3	1.44	2 3/16"
1 1/4"	VEP10BF10	1 1/4" - 11 BSPP	5.43	137.9	2.73	69.3	1.44	2 3/16"
1 1/2"	VEP12F12	1 1/2" - 11 1/2 NPTF	6.63	168.4	3.74	95.0	4.09	2 1/2"
1 1/2"	VEP12BF12	1 1/2" - 11 BSPP	6.63	168.4	3.74	95.0	4.09	2 1/2"
2"	VEP16F16	2" - 11 1/2 NPTF	11.08	281.4	5.70	144.8	12.86	3 1/2"
2"	VEP16BF16	2" - 11 BSPP	11.08	281.4	5.70	144.8	12.86	3 1/2"

Nipples



Code 62 flange connections available with extended lead times. See next page for dust caps and dust plugs

Dust Caps



Size	Material	Part #
1/4"	Aluminium	VEP2DC-A
3/8"	Aluminium	VEP3DC-A
1/2"	Aluminium	VEP4DC-A
3/4"	Aluminium	VEP6DC-A
1"	Aluminium	VEP8DC-A
1 1/4"	Aluminium	VEP10DC-A
1 1/2"	Aluminium	VEP12DC-A
2"	Aluminium	VEP16DC-A

Dust Plugs



Size	Material	Part #
1/4"	Aluminium	2VEPDP-A
3/8"	Aluminium	3VEPDP-A
1/2"	Aluminium	4VEPDP-A
3/4"	Aluminium	6VEPDP-A
1"	Aluminium	8VEPDP-A
1 1/4"	Aluminium	10VEPDP-A
1 1/2"	Aluminium	12VEPDP-A
2"	Aluminium	16VEPDP-A

Dixon Europe

Dixon Deutschland GmbH

Godesberger Strasse 20b
D – 53842 Troisdorf – Spich
Germany
Tel: +49 (0)2241 844 060
Email: info@dixon-deutschland.de

Dixon Russia

22/2 A Sadovaya Street
Office 27-H
Saint Petersburg
Russia
Tel: +7 (812) 448-83-67
Email: info@dixonrussia.ru

Dixon Middle East

Executive Suite,
PO Box 121599,
Saif Zone-Sharjah,
United Arab Emirates
Email: enquiries@dixonme.com

Dixon France

105 Route Pommiers
UBIDOCA Center, 5837
F-74370 Saint Martin Bellevue
France
Email: enquiries@dixoneurope.eu

Dixon Worldwide

Dixon Valve & Coupling Co

800 High Street
Chestertown
MD 21620
USA
Tel: +1 410 778 2000
Email: sales@dixonvalve.com

Dixon Shanghai

Room 801-803
No.3553 North Zhongshan Rd
Putuo District
Shanghai, China
Tel: +86 21 6173 7998
Email: enquiries@dixonvalve.com.cn

Dixon Asia Pacific

PO Box 2491
Regency Park
SA 5942
Australia
Tel: +61 8 8202 6000
Email: enquiries@dixonvalve.com.au

Dixon India

No 11, Udyog Bhavan
Sonawala Road
Goregaon (E)
Mumbai 400-063, India
Tel: +91 22 2686 2226
Email: salesindia@dixonvalve.com.au

Dixon Group Europe Limited

Dixon House, 350 Leach Place,
Walton Summit Centre, Preston PR5 8AS, UK.

Telephone: +44 (0)1772 323529

Fax: +44 (0)1772 314664

Email: enquiries@dixoneurope.co.uk

www.dixoneurope.co.uk / www.dixoneurope.eu

Stay connected with Dixon on  or 

www.youtube.com/user/DixonValve



Customer Service: **+44 (0)1772 323529**